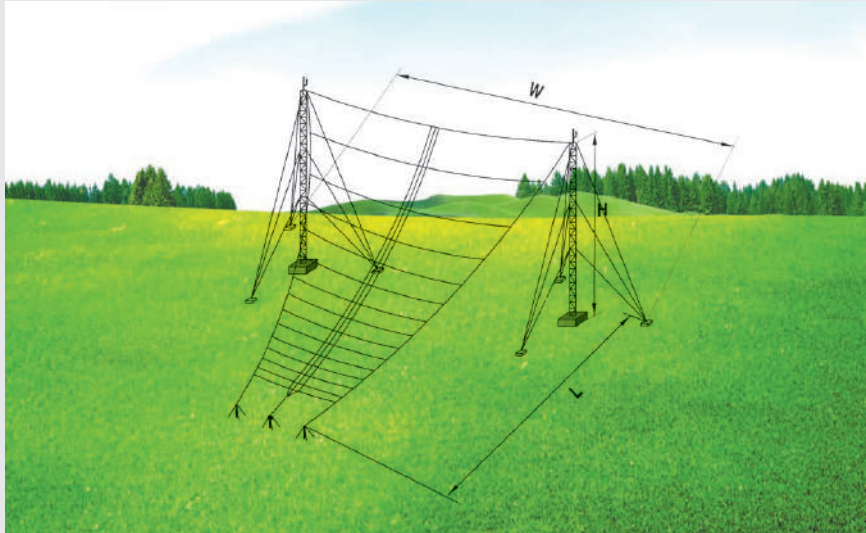


Horizontal Polarization Fixed Directional LP Broad Band Antenna System

Model No. HGFIX LPH-XD(HGFIX LPH-2D-2T / HGFIX LPH-4D-2T)



Specification

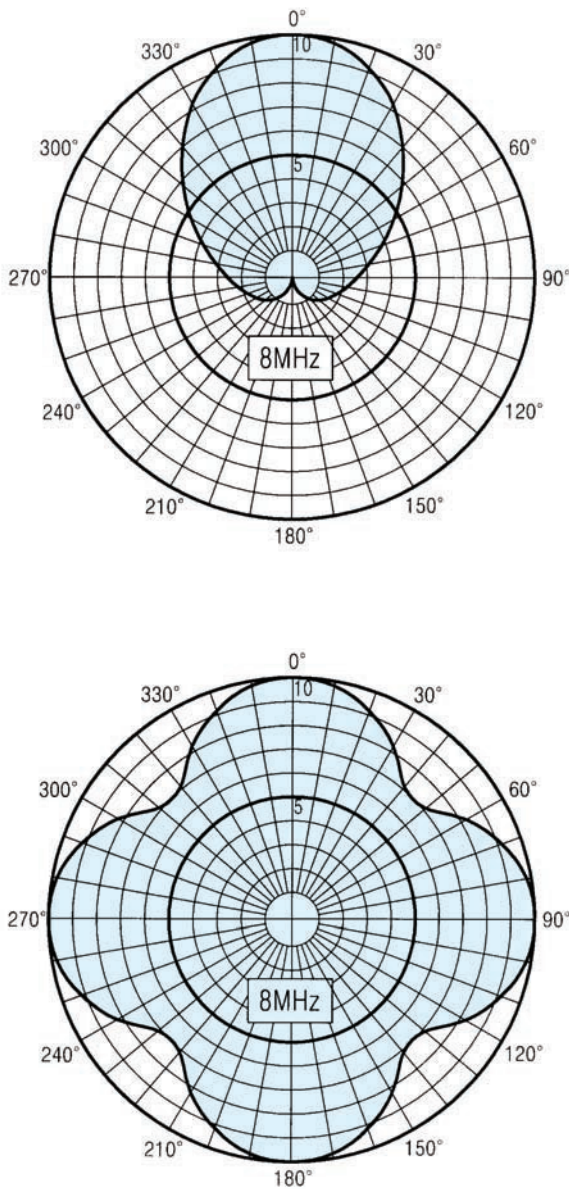
Model No.	HGFIXLPH-2D-2T	HGFIXLPH-4D-2T
Frequency Range	2~30MHz	4 ~ 30MHz
Gain(Main Lobe)*	11dBi(Nominal)	12dBi(Nominal)
Max Power input	Receive 1kW Avg.(PP 2kW) 10kW Avg.(PP 20kW) 25kW Avg.(PP 50kW)	Receive 1kW Avg.(PP 2kW) 10kW Avg.(PP 20kW) 25kW Avg.(PP 50kW)
Input Impedance /Connector	50Ω(Receive) / "N" - Type 50Ω(1kW) / 7/16"φ Din Type 50Ω(10kW) / 1-5/8" φ EIA 50Ω(25kW) / 3-1/8" φ EIA	50Ω(Receive) / "N" - Type 50Ω(1kW) / 7/16"φ Din Type 50Ω(10kW) / 1-5/8" φ EIA 50Ω(25kW) / 3-1/8" φ EIA
V.S.W.R	2.0 : 1 / 3 ~ 30MHz	2.0 : 1
Beam Width(Az)	70° Nominal	70° Nominal
Wind Load	60m/sec	60m/sec
Tower	2 Tower Steel or AL 6061T6	2 Tower Steel or AL 6061T6
Dimension	H:50m, L:100m, W:110m	H:28m, L:50m, W:60m
Weight	1,600kg ~ 2,500kg	1,000kg ~ 2,000kg

* Perfect Soil Condition

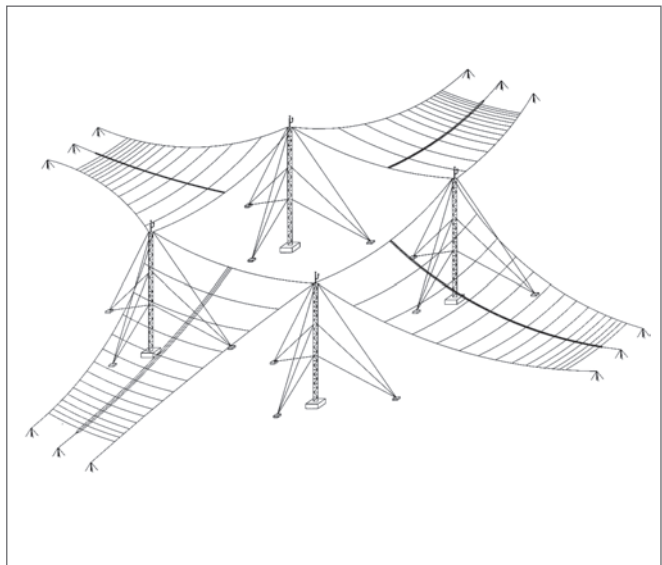
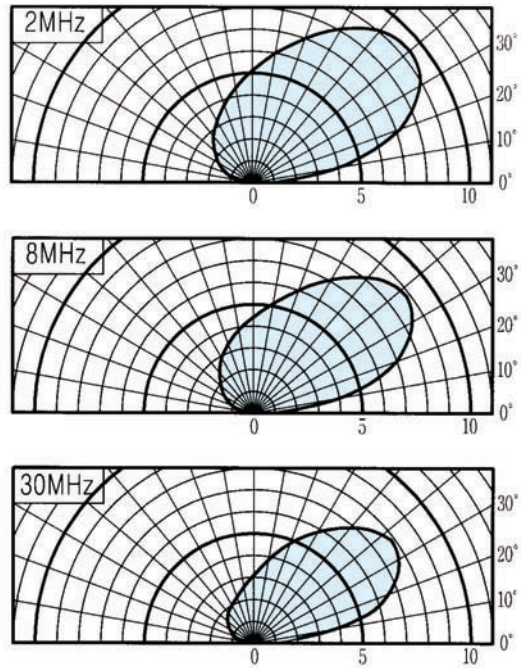
Horizontal Polarization Fixed Directional LP Broad Band Antenna System

HGFIX LPH-2D-2T / HGFIX LPH-4D-2T안테나는 지향성 광대역 안테나이다. 지선식 철탑 2기를 이용하여 고정형으로 설치하며, 20개 이상의 금속 도체선의 복사 소자로 구성된 고효율의 안테나로 제조되었다.

AZIMUTH PATTERNS



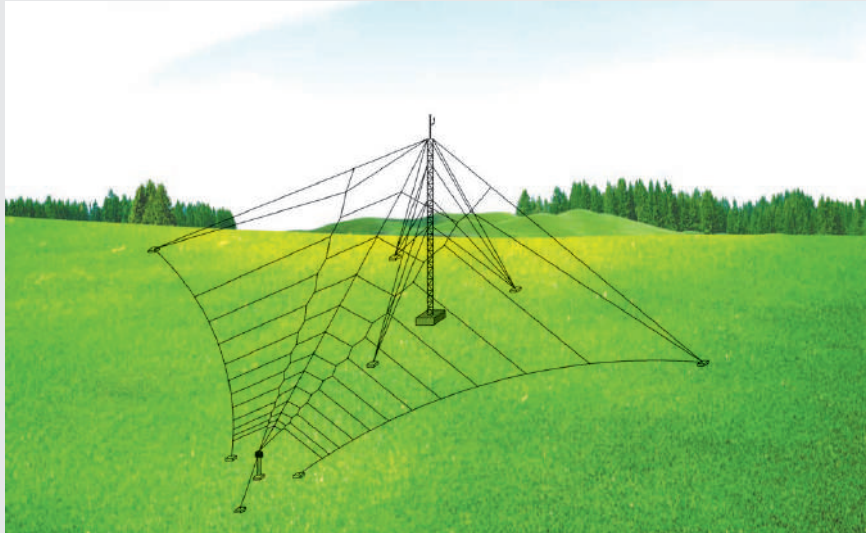
ELEVATION PATTERNS



※ 4방향으로 안테나를 설치하여 광대역 무지향성 패턴을 구현할 수 있다.

Horizontal Polarization Fixed Directional LP Broad Band Antenna System

Model No. HGFIX LPH-XD(HGFIXLPH-2D-1T/HGFIXLPH-3D-1T)



Specification

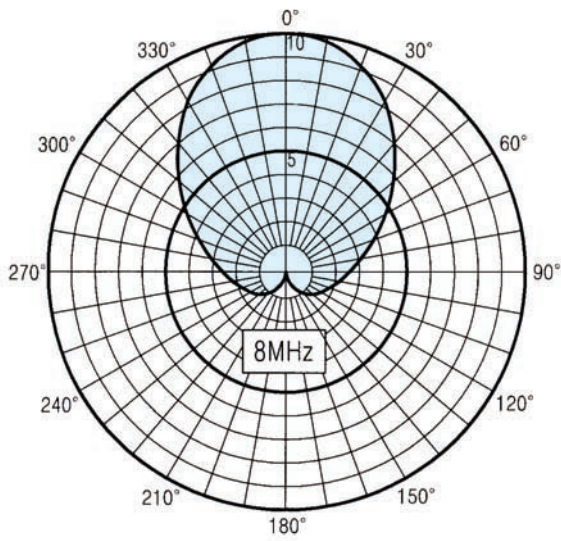
Model No.	HGFIXLPH-2D-1T	HGFIXLPH-3D-1T
Frequency Range	2~30MHz	3~30MHz
Gain(Main Lobe)*	8dBi(Nominal)	10dBi(Nominal)
Max Power input	Receive 1kW Avg.(PP 2kW) 10kW Avg.(PP 50kW)	Receive 1kW Avg.(PP 2kW) 10kW Avg.(PP 50kW)
Input Impedance /Connector	50Ω(Receive) / “N” – Type 50Ω(1kW) / 7/16” ϕ Din Type 50Ω(10kW) / 1-5/8” ϕ EIA	50Ω(Receive) / “N” – Type 50Ω(1kW) / 7/16” ϕ Din Type 50Ω(10kW) / 1-5/8” ϕ EIA
V.S.W.R	2.5 : 1 / 2 ~ 3MHz 2.0 : 1 / 3 ~ 30MHz	2.0 : 1
Beam Width(Az)	80° Nominal	80° Nominal
Wind Load	60m/sec	60m/sec
Tower	1 Tower Steel or AL 6061T6	1 Tower Steel or AL 6061T6
Dimension	H:30m, L:87m, W:104m	H:25m, L:55m, W:82m
Weight	1000kg	800kg

* Perfect Soil Condition

Horizontal Polarization Fixed Directional LP Broad Band Antenna System

HGFIXLPH-2D-1T/HGFIXLPH-3D-1T안테나는 대지가 협소한 장소에 1개의 지선식 철탑을 이용하여 설치하며, 중급의 이득을 구현하는 고정형 안테나이다.

AZIMUTH PATTERNS



ELEVATION PATTERNS

